

ILLUSTRATED PARTS BREAKDOWN

PDP-11/35-S 16 BIT COMPUTER

HOW TO USE THE IPB

GENERAL

This IPB is compiled following the organization and nomenclature of the engineering drawing structure.

MAJOR ASSEMBLY LOCATOR

The Major Assembly Locator (first illustration) is an index that provides a description and a figure reference for all illustrations used in this manual.

INDENTED PARTS LIST

This manual identifies each assembly being broken down (figure reference callout), and all parts of that assembly. Further breakdown of an assembly is shown by an asterisk (*) preceding the item callouts in the Description Column. The number of asterisks preceding an item is used to denote the subordination of that item with respect to the Major Assembly. A single asterisk preceding an item description indicates that the item is part of the major assembly being illustrated. Items that are subordinate to single asterisks items, are denoted by two asterisks (**) and immediately follow the related single asterisk item. Additional asterisks are used, as required, to denote further subordination. This system of part identification, provides a means for the user to identify the next higher assembly item and make alternate selections for parts when the required replacement part or assembly is not immediately available.

COLUMN CALLOUT DESCRIPTION

Figure & Item - Indicates the figure number and item number of each part.

Description - Lists the name of the part and pertinent specifications (when required). Asterisks preceding the description denote the subordination of the part to the next higher assembly.

DEC Part No. - Lists the DEC part ordering number. A blank in this column indicates a DEC part number was not assigned at the time of publication.

ECO Cut-In - The notation at the top of this column indicates the ECO level of the system (option), at which the IPB was initially prepared. Subsequent ECO level designations, that modify existing parts or add new parts to the device, are inserted in the ECO Cut-In column next to the part that is added-or modified. A bracket ([]) preceding the item description is used to indicate the parts affected by ECO's.

Vendor Code/Part No. - Indicates vendor parts that are not stocked by DEC. Refer to the Field Service Spares Catalog (vendor part number to DEC part number) for the vendor code cross-reference.

Used On Code - Letters in this column correspond to the variation codes assigned in Figure 1. Parts with an Alpha notation(s) are used only in those option variations. A blank indicates that the part is used on all option variations.

Ref Fig No. - A cross reference between illustrations. For each Major Assembly, the number in this column denotes the figure of the next higher assembly. For all subassemblies, the number in this column denotes the figure showing additional detailed breakdown.

SYMBOL USAGE

Hardware Designators - Alpha designators for screws (S), washers (W), nuts (N), and retaining rings (R) are inserted after the item number callouts on the illustration when stacked item numbers are used.

Attaching Hardware - The @ symbol is inserted before any part that is used as attaching hardware. Attaching hardware is denoted as those parts that are not an integral part of the referenced assembly.

(NFR) Not Field Repairable - The (NFR) symbol is inserted after any assembly that is not to be field dismantled.

Other Symbols - Any other symbols that are required for kits, accessories, etc., will be explained and appear as part of the item description.

REVISION HISTORY

PRINTING	ECO LEVEL	DATE	PAGES AFFECTED
1st Printing	11/35S 00001-00001 70-09918 00000-00000 70-10115 00000-00000	12-26-74	N/A

Copyright © 1974, by Digital Equipment Corporation

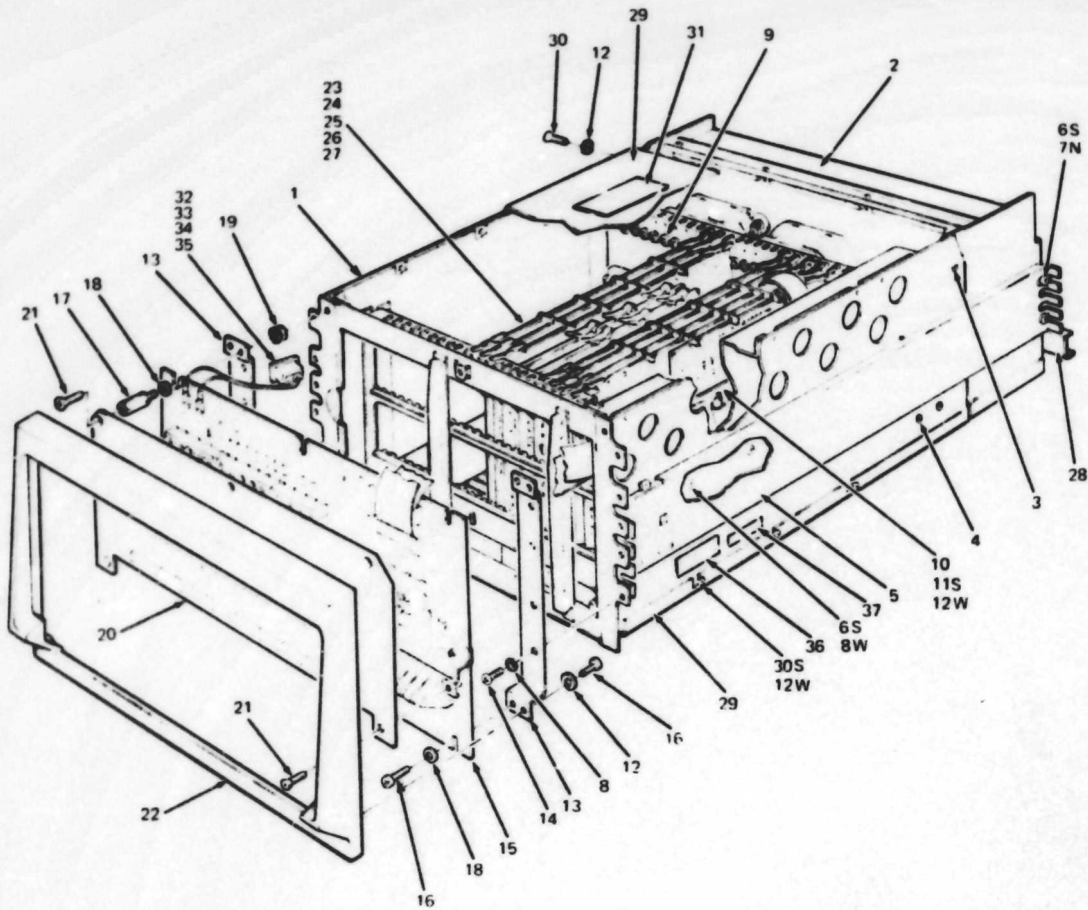
DEC reserves the right, without notice, to make substitutions and modifications in the specifications of products documented in this manual and further reserves the right to withdraw any of these products from the market without notice.

DEC is not responsible for errors which may appear in the technical description (including illustrations and photographs) of the products covered by this manual.

None of the descriptions contained in this manual imply the granting of any license whatsoever to make, use or sell equipment constructed in accordance therewith.

Printed in U.S.A.

PDP 11/35 S - 1



11/35S-01

Figure 1. PDP 11/35-S 16 Bit Computer Assembly (Basic)

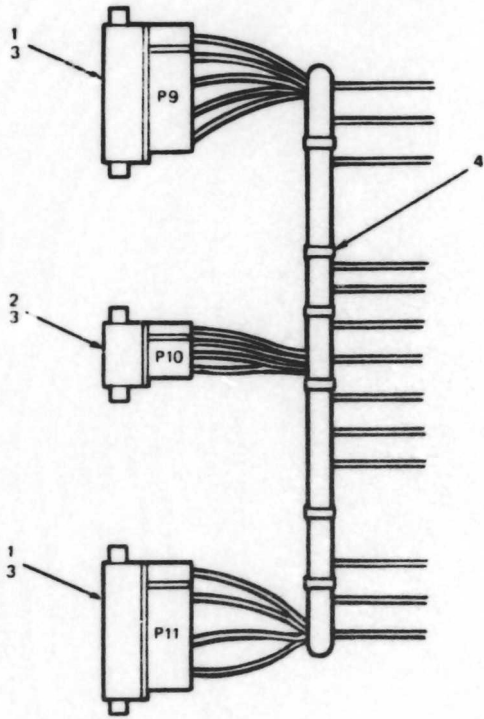


IPB 11/35 S

PDP 11/35 S-2

FIG & ITEM NO.	DESCRIPTION	DEC PART NO.	ECO CUT-IN 11/35 S 00001	USED ON CODE	VENDOR		REF FIG NO.
					CODE	PART NO.	
1-	PDP 11/35-S COM [®] PUTER ASSEMBLY (Basic)						
	Code A - Used on Model 11/35-SC 115V w/MF11-U Memory	11/35-SC		A			
	Code B - Used on Model 11/35-SD 230 V w/MF11-U Memory	11/35-SD		B			
	Code C - Used on Model 11/35-SE 115 V w/MF11-UP Memory	11/35-SE		C			
	Code D - Used on Model 11/35-SF 230 V w/MF11-UP Memory	11/35-SF		D			
1	*Chassis	70-09769-00					
2	*H765A Power Supply Assy. 115 V 50/60 Hz	H765-A		A,C			
	*H765B Power Supply Assy. 230 V 50/60 Hz	H765-B		B,D		See IPB Manual DEC-H765-IPB	
3	*Screw, Phi. Flat Hd. No. 10-32 x .50	90-09599-00					
4	*Screw, Phi. Flat Hd. No. 6-32 x .25 (Fastens Power Distribution Board to Chassis)	90-06020-02					
5	*Slide, (3 Position Tilt) (1 Pr)	12-11825-00					
6	*Screw, Phi. Truss Hd. No. 10-32 x .38	90-06071-03					
7	*Nut, Kep No. 10-32	70-06565-00					
8	*Washer, Ext. Tooth No. 10	90-07651-00					
9	*Card Guide	12-11630-00					
10	*Trough, Chassis Cable	74-12184-00					
11	*Screw, Phi. Pan Hd. No. 6-32 x .25 (Self-Tap)	90-08408-01					
12	*Washer, Int. Tooth Lock No. 6	90-06633-00					
13	*Bracket, Console Mounting	74-11700-00					
14	*Screw, Phi. Truss Hd. No. 10-32 x .25	90-08007-01					
15	*KY11-K Console Assembly	KY11-K				See IPB Manual DEC-KY11K-IPB	
16	*Screw, Phi. Pan Hd. No. 6-32 x .38	90-06022-01					
17	*Standoff, Male - Female No. 6-32 x .88	90-09120-01					
18	*Washer, Flat .38	90-06653-00					
19	*Nut, Kep No. 6-32	90-06560-00					
20	*Panel, Indicator	74-09881-01					
21	*Screw, Slotted Flat Hd No. 6-32 x .38 Nylon	90-06404-02					
22	*Bezel	12-10710-00					
23	*KD11-A Processor (See Module Utilization Dwg. D MU-KD11-A-MU)	KD11-A					
24	**Wired Assembly (KD11A)	70-10230-00					
25	*Screw, Phi. Pan Hd. No. 8-32 x 1.0	90-06043-01					
26	*MF11-U 16K Sense Memory	MF11-U		A,B			
	*MF11-UP 16K Sense Memory	MF11-UP		C,D			
27	**Back Plane Assembly	70-09295-00					
28	*Shipping Bracket Assembly	70-10059-00					
29	*Cover, Chassis	70-09768-00					
30	*Screw, Phi. Truss Hd. No. 6-32 x .25	90-06020-03					
31	*Sticker, "Configuration" DEC-3-(374)-1825-N1174						
32	*Harness, Console Switch (To J3 on AC Input Box)	70-10013-00					
33	**Connector (P3) (Pin Housing) Mate-N Lok	12-09351-03					
34	**Terminal, Pin Contact	12-09378-01					
35	**Connector, Solderless	90-07917-00					
36	*Decal, "UL"	53-09414-00					
37	*Decal "NFPA"	53-09413-00					2
	*HARNESS, Power (3.5 in.) (Not Shown) (Backplane to Power Distribution Board)	70-09918-00					2
	*HARNESS, MF11U UP (Not Shown)	70-10115-00					3

FIG & ITEM NO.	DESCRIPTION	DEC PART NO.	ECO CUT-IN 70-09918 00000	USED ON CODE	VENDOR		REF FIG NO.
					CODE	PART NO.	
2-	POWER HARNESS ASSEMBLY	70-09918-00					1
1	*Connector, (P9,P11) (Pin Housing) Mate-N-Lok	12-09351-15					
2	*Connector, (P10) (Pin Housing) Mate-N-Lok	12-09351-06					
3	*Terminal, Pin Contact	12-09378-01					
4	*Tie Wrap	90-07031-00					

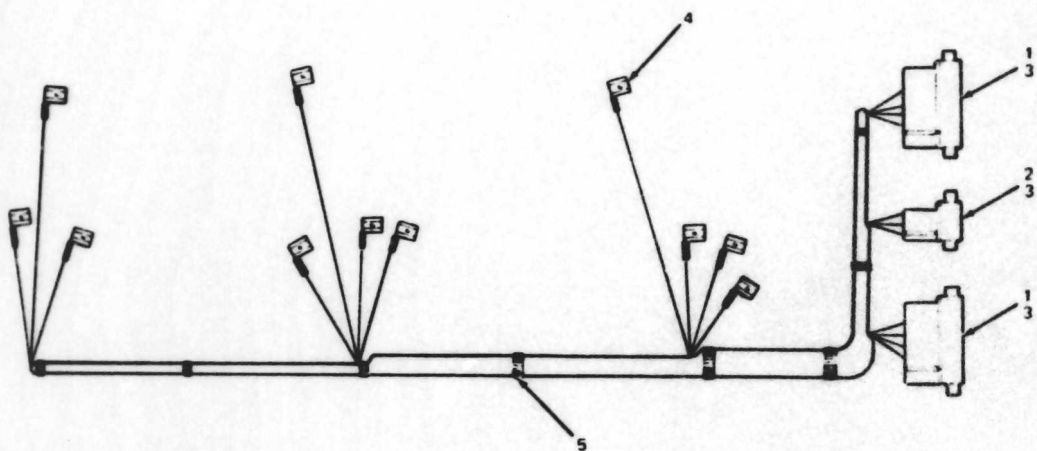


11-35S 02

Figure 2. Power Harness Assembly

PDP 11/35 S-4

FIG & ITEM NO.	DESCRIPTION	DEC PART NO.	ECO CUT-IN 70-10115 00000	USED ON CODE	VENDOR		REF FIG NO.
					CODE	PART NO.	
3-	MF11-U/UP HARNESS ASSEMBLY	70-10115-00					1
1	*Connector, (P1-P3) Pin Housing, 15 Pin Mate-N-Lok	12-09351-15					
2	*Connector, (P2) Pin Housing, 6 Pin Mate-N-Lok	12-09378-01					
3	*Terminal, Pin Contact	12-09378-01					
4	*Terminal, Faston Receptacle	90-09262-00					
5	*Tie Wrap	90-07031-00					



11/35S-03

Figure 3. MF11-U/UP Harness Assembly